

1 Series

CL Systems - Minimal, wide-coverage in-ceiling loudspeakers



Applications

- Fixed Installations
- Acoustically Challenging Venues
- Churches & Cathedrals
- Corporate AV
- Airports & Transportation Terminals
- Concourses

Features

- High-sensitivity transducers for better output even at lower taps
- Low-saturation transformers for a fuller spectrum of audio
- Capable of full range output
- Quick 2-point installation
- Clean aesthetic & industrial design

Products in the Series

- VE 108 TC
- VE 105 TC

CL-Systems offer systems designers affordable loudspeakers that deliver superior sonic presence for paging and background music applications including retail stores, cafeterias, transportation hubs and other public venues. The range consists of two ceiling speakers and a pendant, that can be used on 8-ohms or a 70/100v line.

British Acoustics

Creative Park, Langley Park,

Durham DH7 9TT, UK.

All Rights Reserved - British Acoustics

T: +44 191 373 7638

E: info@britishacoustics.com

www.britishacoustics.com

VE 105TC

4" Full Range Ceiling Speaker

Technical Specifications

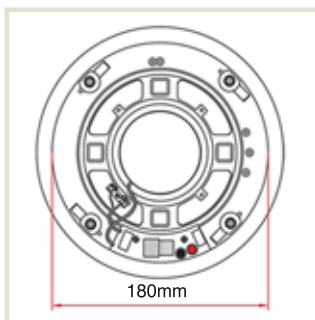
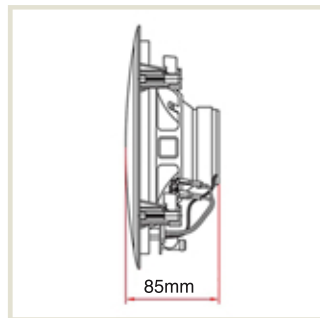
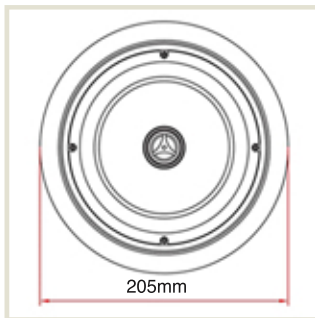
Frequency Range (-10dB)	60 Hz - 18 kHz
Frequency Response (-3dB)	87 Hz - 20 kHz
Coverage Pattern	130° conical
Max Spl	101 dB
Rated Power	10W Continuous, 40W Peak
Transducer	4" Full Range Shallow Flare MG15 Driver
Transformer Taps	10W, 5W, 2.5W - 100 / 70 V
Nominal Impedance	8 Ohms or 100/70 V

General Specifications

Enclosure	Dura-light ABS Enclosure
Grill	Snap Off Easy Fit low reflection White Grill
Finish	Matte white grille finish
Mounting System	Easy Fit Ceiling Mounting
Height	6.8"
Diameter	2.3"
Drywall Cutout	145 mm
Weight	580 g

Mounting Dimensions

Dimensions in mm



British Acoustics

Creative Park, Langley Park,

Durham DH7 9TT, UK.

All Rights Reserved - British Acoustics

T: +44 191 373 7638

E: info@britishacoustics.com

www.britishacoustics.com