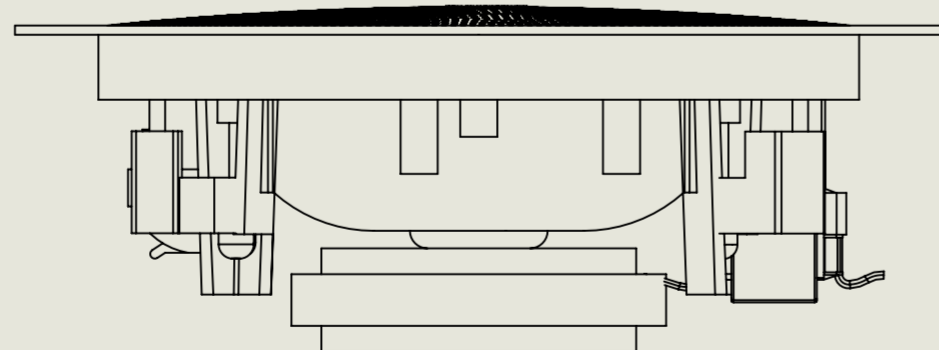
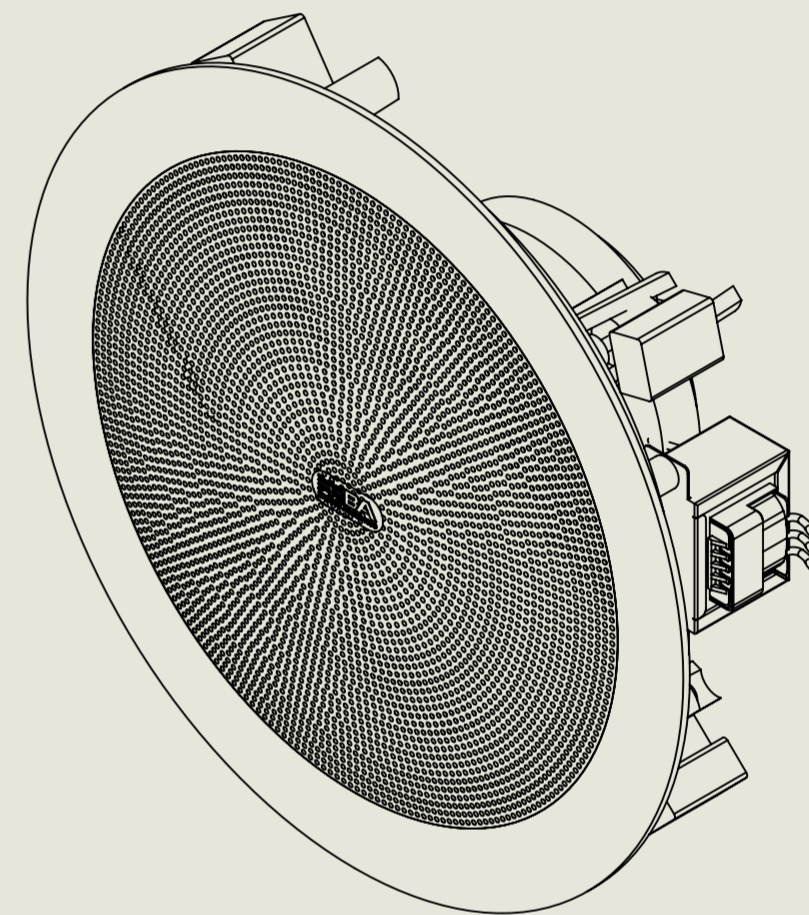
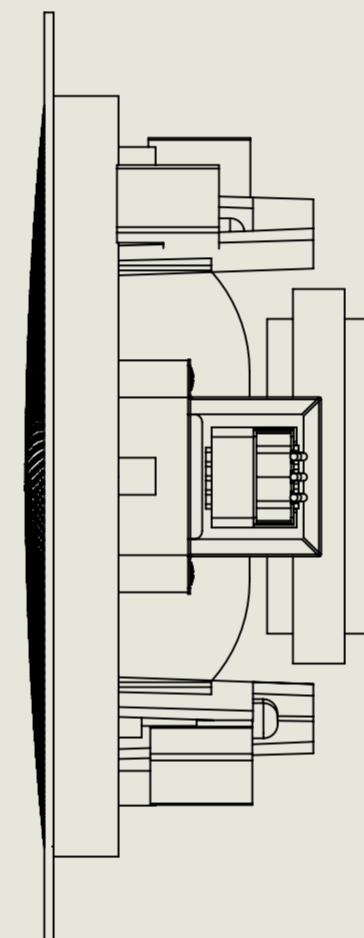
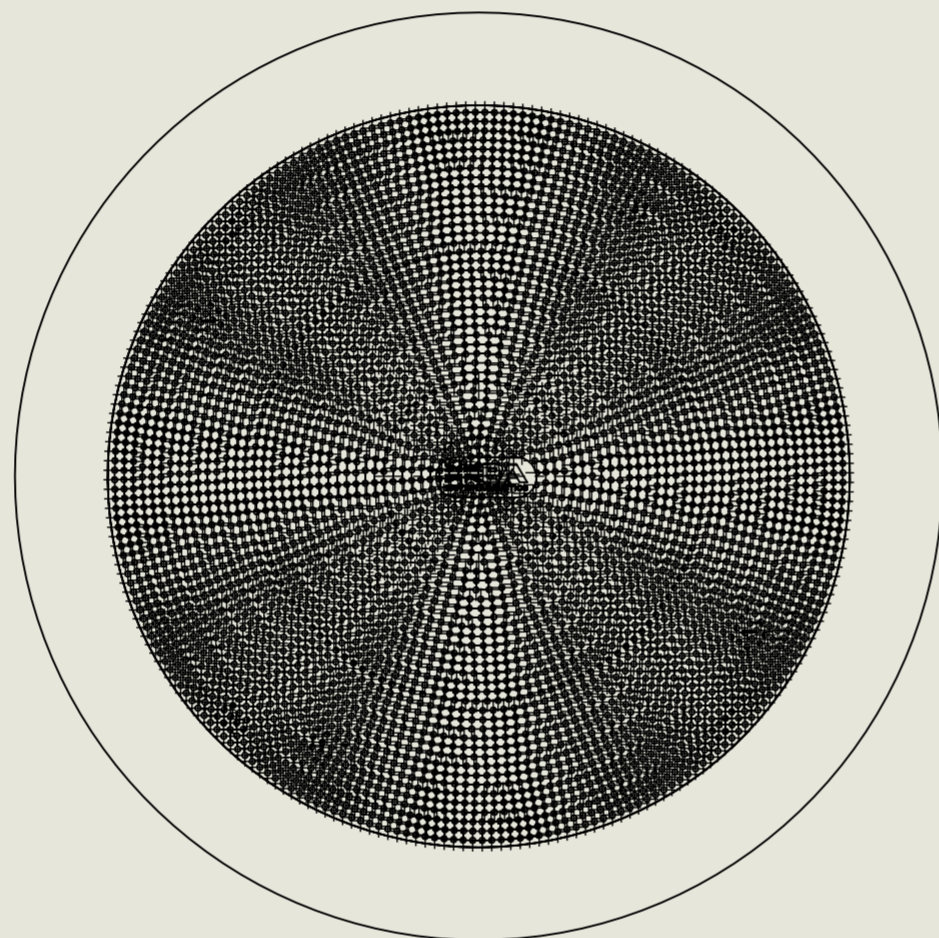
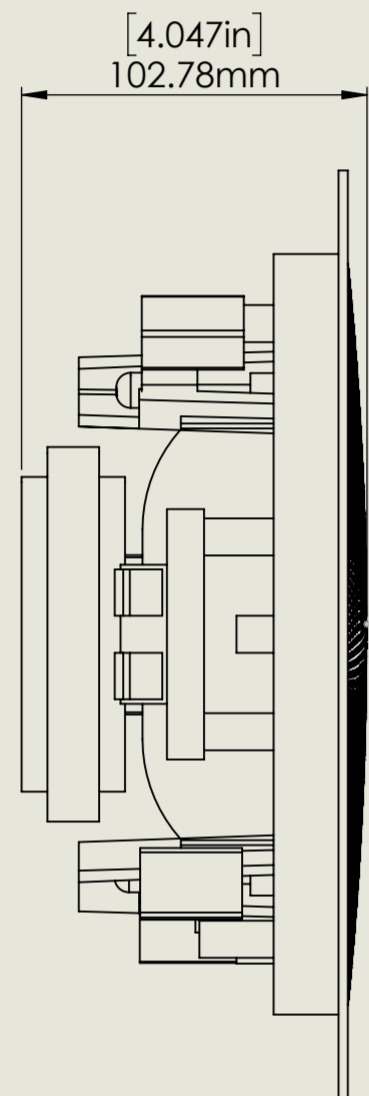
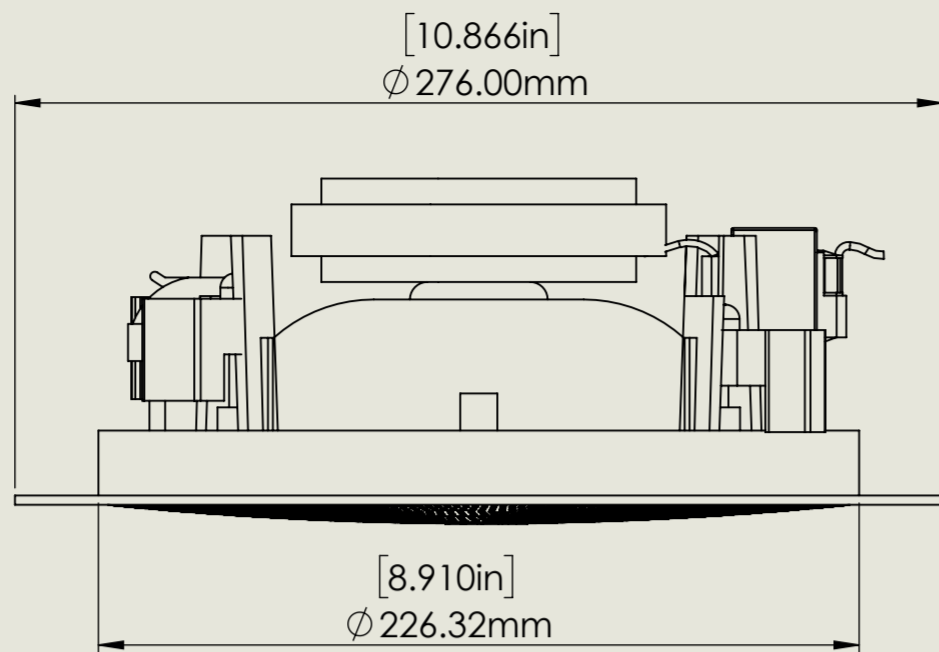


12 11 10 9 8 7 6 5 4 3 2 1

H  
G  
F  
E  
D  
C  
B  
A



DRAWING:	VE-108 TC	VERSION:	2024	THIRD ANGLE PROJECTION 	
SCALE:	1:2.25	TOLERANCES: ALL LINEAR DIMS +/-0.2mm ALL ANGULAR DIMS +/-0.5			
ALL MEASUREMENTS ARE IN MILLIMETERS					

12 11 10 9 8 7 6 5 4 3 2 1